

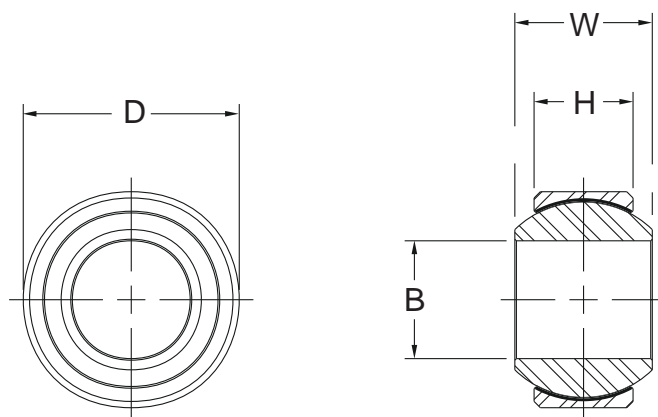
Metric Race Car PTFE Lined Spherical Bearings

Parts commonly, but not exclusively, used in the race car industry, along with common part number references.

While not cataloged, many of these parts are stocked.

Check with dealer or factory for availability.

Aurora Part Number	Common Part Number	B	H	W	D
AIB-M12T-1	G-12D	12	12	16	26
GE12C	GE12E	12	7	10	22
COM-M14T-3		14	10	19	28
HAB-M14TG-1	MBYT-14V	14	10	23.5	29
GE15C	GE15ES	15	9	12	26
COM-M15T-4	GE15ES	15	9	12	26
COM-M15T-8	GEH15ES	15	10	16	30
AIB-M16T-1	G-16D	16	15	21	32
HAB-M16TG-1	MBYT-16V	16	14	30.5	35
GEG17ET-2RS	GEG17ES	17	12	20	35
AIB-M20T-1	G-20D	20	18	25	40
GEG20ET-2RS	GEG20ES	20	16	25	42
GEG25ET-2RS	GEG25ES	25	18	28	47



Note: Dimensions are for reference only, and may not fully reflect actual part specifications. Check catalog or consult factory for more complete material specifications, tolerances, etc.