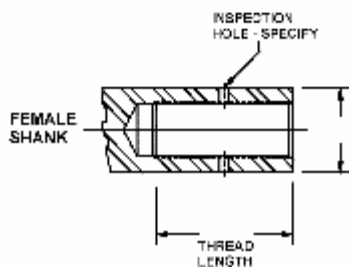
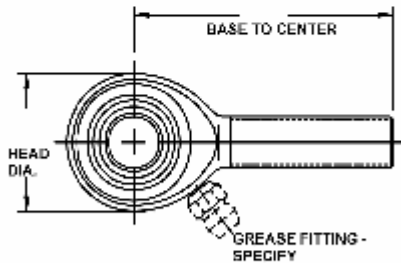
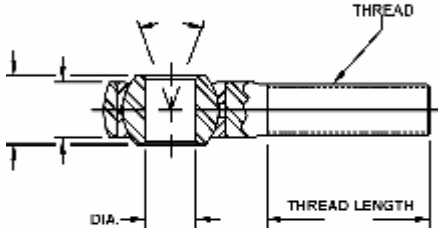
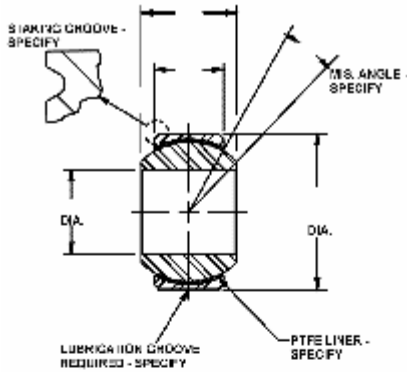




AURORA BEARING COMPANY
 901 AUCUTT ROAD
 MONTGOMERY, IL. 60538
 PH: 630-859-2030
 FAX: 630-859-0971



NAME _____ PHONE _____
 TITLE _____ FAX _____
 COMPANY NAME _____
 ADDRESS _____
 STATE _____ ZIP _____
 CUSTOMER PART # _____
 COMPETITOR PART # _____

APPLICATION

New Requirement Redesign New Source

Quantities to quote _____

How is this bearing being used? _____

ENGINEERING INFORMATION

Material

Body	Ball	Race

ENVIRONMENT

Temp. _____ Corrosion _____ Washdown _____

BEARING LOADS

Static Constant Reversing Dynamic

Radial: _____ lbs. Axial: _____ lbs.

Misalignment angle _____°