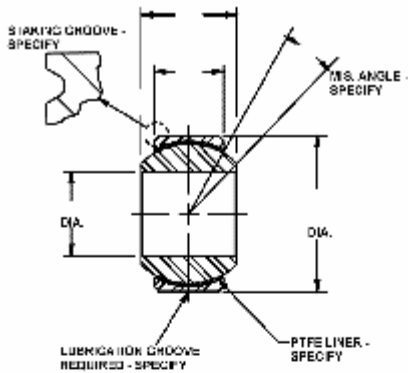
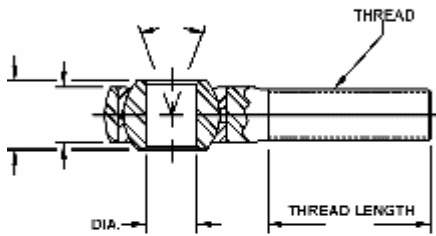




AURORA BEARING COMPANY
 970 S. LAKE STREET
 AURORA, IL 60506
 PH: 630-859-2030
 FAX: 630-859-0971



NAME _____ PHONE _____
 TITLE _____ FAX _____
 COMPANY NAME _____
 ADDRESS _____
 STATE _____ ZIP _____
 CUSTOMER PART # _____
 COMPETITOR PART # _____

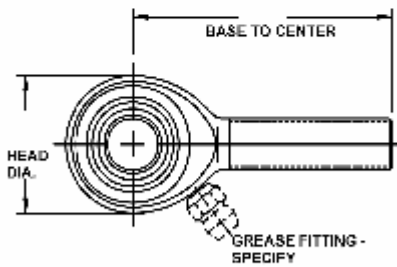


APPLICATION

New Requirement Redesign New Source

Quantities to quote _____

How is this bearing being used? _____



ENGINEERING INFORMATION

Material

| Body | Ball | Race |
|------|------|------|
| | | |

ENVIRONMENT

Temp. _____ Corrosion _____ Washdown _____

BEARING LOADS

Static Constant Reversing Dynamic

Radial: _____ lbs. Axial: _____ lbs.

Misalignment angle _____°

